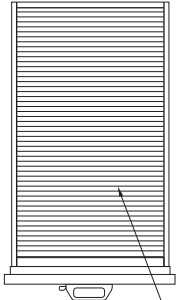


# SPECIFICATIONS

## PROTECTION PLUS VERTICAL LEGAL FILES

### Filing Arrangement:



LEGAL FILING  
FRONT TO BACK



HANGING  
FOLDER FRAME  
(OPTIONAL)

LETTER FILING  
FRONT TO BACK

**FIREPROOF INSULATION** is 100% gypsum, reinforced by a 1" by 2" lattice made of 14-gauge galvanized welded steel wire, providing complete peace of mind from fire, impact, or explosion.

**FIELD REPLACEABLE STEEL PANELS** can easily be replaced in the event that any panel is damaged.

**FINISH** is an environmentally-friendly electrostatic powder coating applied to all sides, including bottom. The finish is scratch-resistant, providing a lifetime quality appearance. Standard colors available include: parchment, tan, taupe, brown, black, sand, champagne, platinum, and pewter.

**SAFE** is made of 3/16 inch hot rolled steel; the door is constructed of 1/4 inch steel. Capacity is approximately 2.44 cubic feet. Color is parchment only.

**SAFE LOCK** is a UL®-listed dial combination lock (electronic combination lock available as an upgrade).

**DRAWER BODIES** are built with high sides for use with hanging folders – no additional frames are needed.

**DRAWER SUSPENSIONS** are maintenance free.

**DRAWER LOCKS** are UL®-listed Medeco high-security key locks.

**DRAWER PULLS** are surface mounted to allow for extra insulation inside the drawer heads.

**INSULATION BETWEEN ALL DRAWERS** makes each drawer a separate insulated container.

**WATER RESISTANCE** means files are designed to prevent water damage resulting from sprinklers and fire hoses.

**2-POSITION DRAWER CATCH** allows access to certain drawers while others remain locked.

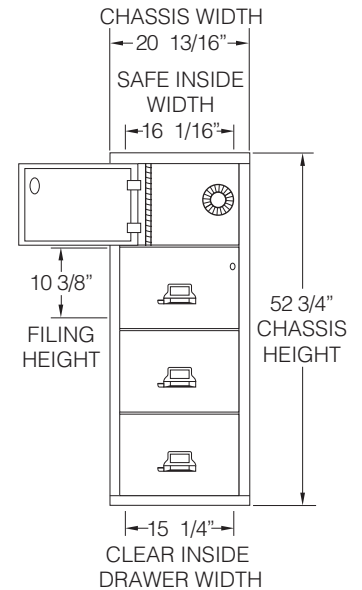
**DRAWER HEADS** are formed of welded steel and filled with fireproof insulation, and are field replaceable.

**UNDERWRITERS LABORATORIES® (UL®) FIRE & IMPACT RATING** on all file cabinets. These models carry the 1-Hour Class 350 Fire with Impact UL label. Tests include 1 hour exterior fire exposure at 1700°F, a 2000°F explosion test, and a 30 foot drop to test impact integrity.

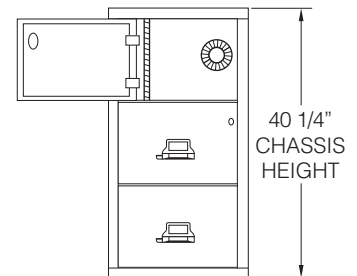
**OPTIONAL UPGRADES** are available to enhance your file's appearance or functionality. Upgrades available include custom color finishes, standard lock options available for file drawers (false drawer head is Medeco key lock only), safe door lock options (electronic keypad or dial combination only), casters, and interior options such as hanging folder frames, document inserts, trays, and inner drawers.

**FIREKING'S 3-YEAR LIMITED WARRANTY** includes parts and labor provided by a factory authorized technician. Beyond the base warranty, if your FireKing file is ever required to protect your documents in a fire and its protective properties are damaged, FireKing will replace the file free of charge.

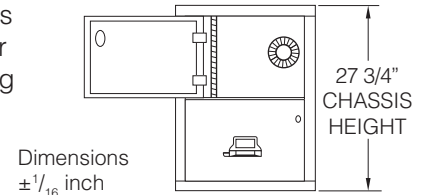
### MODEL 4-2131-CSF: 728 lbs (avg. ship wt.)



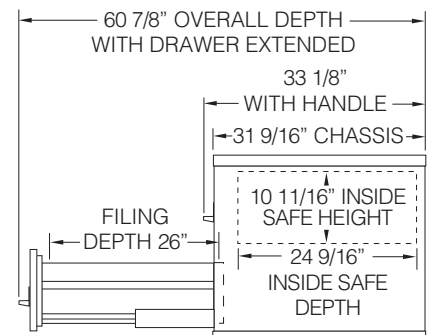
### MODEL 3-2131-CSF: 644 lbs (avg. ship wt.)



### MODEL 2-2131-CSF: 501 lbs (avg. ship wt.)



### SIDE VIEW:



SafetyFile Inc.

23075 Hwy. 7 • Excelsior MN 55331

ph: 800.700.8025 fax: 952.908.3162

www.safetyfile.com