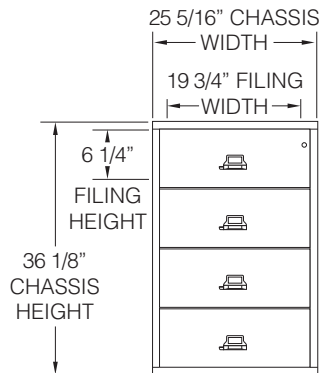


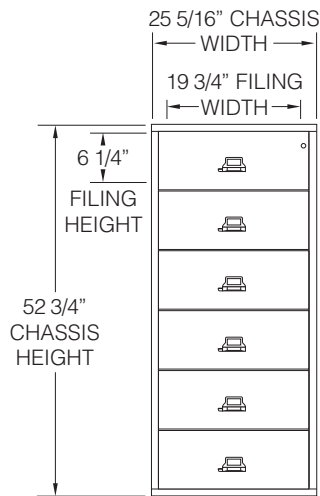
# SPECIFICATIONS

## CARD / CHECK / NOTE FILES

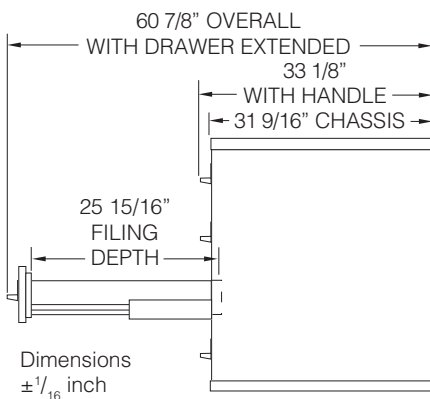
**MODEL 4-2536-C:**  
644 lbs (avg. ship wt.)



**MODEL 6-2552-C:**  
863 lbs (avg. ship wt.)



### SIDE VIEW:



**FIREPROOF INSULATION** is 100% gypsum, reinforced by a 1" by 2" lattice made of 14-gauge galvanized welded steel wire, providing complete peace of mind from fire, impact, or explosion.

**FIELD REPLACEABLE STEEL PANELS** can easily be replaced in the event that any panel is damaged.

**FINISH** is an environmentally-friendly electrostatic powder coating applied to all sides, including bottom. The finish is scratch-resistant, providing a lifetime quality appearance. Standard colors available include: parchment, tan, taupe, brown, black, sand, champagne, platinum, and pewter.

**DRAWER BODIES** are built with high sides for use with hanging folders – no additional frames are needed.

**DRAWER SUSPENSIONS** are maintenance free.

**DRAWER LOCKS** are UL®-listed Medeco high-security key locks.

**DRAWER PULLS** are surface mounted to allow for extra insulation inside the drawer heads.

**INSULATION BETWEEN ALL DRAWERS** makes each drawer a separate insulated container.

**WATER RESISTANCE** means files are designed to prevent water damage resulting from sprinklers and fire hoses.

**2-POSITION DRAWER CATCH** allows access to certain drawers while others remain locked.

**DRAWER HEADS** are formed of welded steel and filled with fireproof insulation, and are field replaceable.

**UNDERWRITERS LABORATORIES® (UL®) FIRE & IMPACT RATING** on all file cabinets. These models carry the 1-Hour Class 350 Fire with Impact UL label. Tests include 1 hour exterior fire exposure at 1700°F, a 2000°F explosion test, and a 30 foot drop to test impact integrity.

**OPTIONAL UPGRADES** are available to enhance your file's appearance or functionality. Upgrades available include custom color finishes, standard lock options, casters, and interior options such as 2-section or 3-section inserts and card trays.

**FIREKING'S 3-YEAR LIMITED WARRANTY** includes parts and labor provided by a factory authorized technician. Beyond the base warranty, if your FireKing file is ever required to protect your documents in a fire and its protective properties are damaged, FireKing will replace the file free of charge.



SafetyFile Inc.

23075 Hwy 7 • Excelsior MN 55331

ph: 800.700.8025 fax: 952.908.3162

[www.safetyfile.com](http://www.safetyfile.com)

