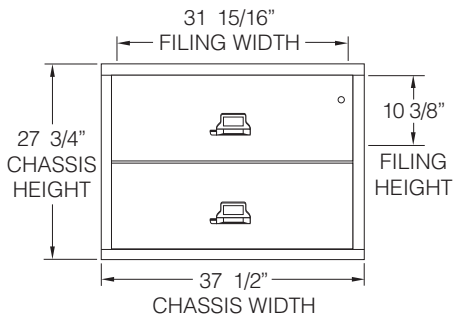


SPECIFICATIONS

38 INCH LATERAL FILES

MODEL 2-3822-C:

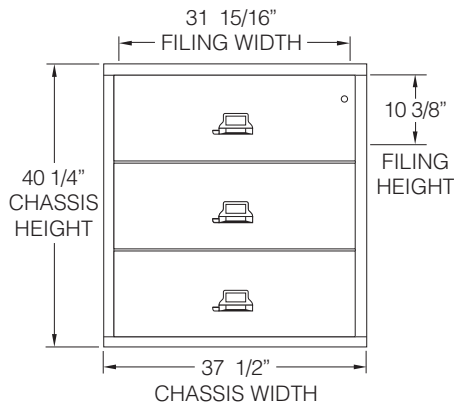
532 lbs (avg. ship wt.)



Dimensions
±1/16 inch

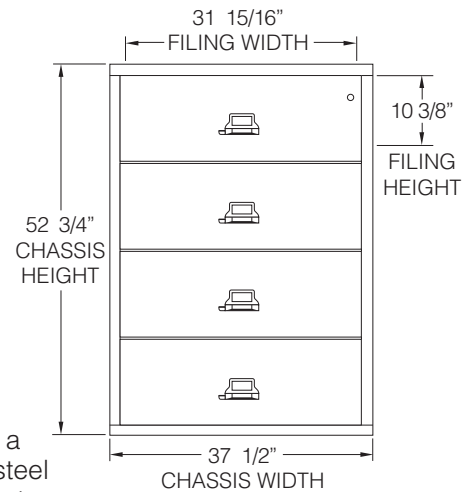
MODEL 3-3822-C:

756 lbs (avg. ship wt.)

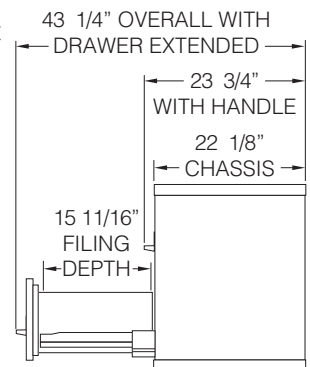


MODEL 4-3822-C:

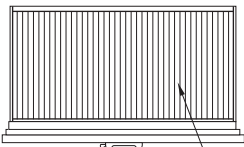
907 lbs (avg. ship wt.)



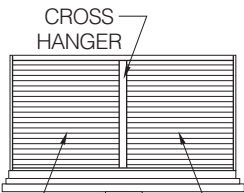
SIDE VIEW:



Filing Arrangements:

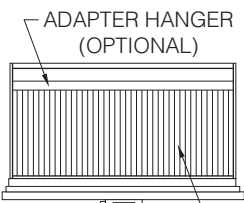


LEGAL FILING
SIDE TO SIDE



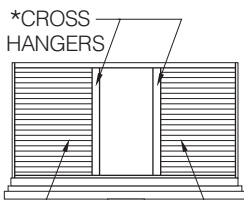
CROSS
HANGER

LEGAL FILING
FRONT TO BACK
IN 2 ROWS



ADAPTER HANGER
(OPTIONAL)

LETTER FILING
SIDE TO SIDE



*CROSS
HANGERS

LETTER FILING
FRONT TO BACK
IN 2 ROWS

FIREPROOF INSULATION is 100% gypsum, reinforced by a 1" by 2" lattice made of 14-gauge galvanized welded steel wire, providing complete peace of mind from fire, impact, or explosion.

FIELD REPLACEABLE STEEL PANELS can easily be replaced in the event that any panel is damaged.

FINISH is an environmentally-friendly electrostatic powder coating applied to all sides, including bottom. The finish is scratch-resistant, providing a lifetime quality appearance. Standard colors available include: parchment, tan, taupe, brown, black, sand, champagne, platinum, and pewter.

DRAWER BODIES are built with high sides for use with hanging folders – no additional frames are needed. *Each file includes 1 cross hanger per drawer.

DRAWER SUSPENSIONS are maintenance free.

DRAWER LOCKS are UL®-listed Medeco high-security key locks.

DRAWER PULLS are surface mounted to allow for extra insulation inside the drawer heads.

INSULATION BETWEEN ALL DRAWERS makes each drawer a separate insulated container.

WATER RESISTANCE means files are designed to prevent water damage resulting from sprinklers and fire hoses.

2-POSITION DRAWER CATCH allows access to certain drawers while others remain locked.

INTERLOCKS prevent more than one drawer from opening at the same time to protect users from accidental tipping.

DRAWER HEADS are formed of welded steel and filled with fireproof insulation, and are field replaceable.

UNDERWRITERS LABORATORIES® (UL®) FIRE & IMPACT RATING on all file cabinets. These models carry the 1-Hour Class 350 Fire with Impact UL label. Tests include 1 hour exterior fire exposure at 1700°F, a 2000°F explosion test, and a 30 foot drop to test integrity.

OPTIONAL UPGRADES are available to enhance your file's appearance or functionality. Upgrades available include custom color finishes, standard lock options, casters, and interior options such as adapter hangers, document inserts, trays, cross hangers, and inner drawers.

FIREKING'S 3-YEAR LIMITED WARRANTY includes parts and labor provided by a factory authorized technician. Beyond the base warranty, if your FireKing file is ever required to protect your documents in a fire and its protective properties are damaged, FireKing will replace the file free of charge.



SafetyFile Inc.

23075 Hwy. 7 • Excelsior MN 55331
ph: 800.700.8025 fax: 952.908.3162

www.safetyfile.com

REV 11/19/07

